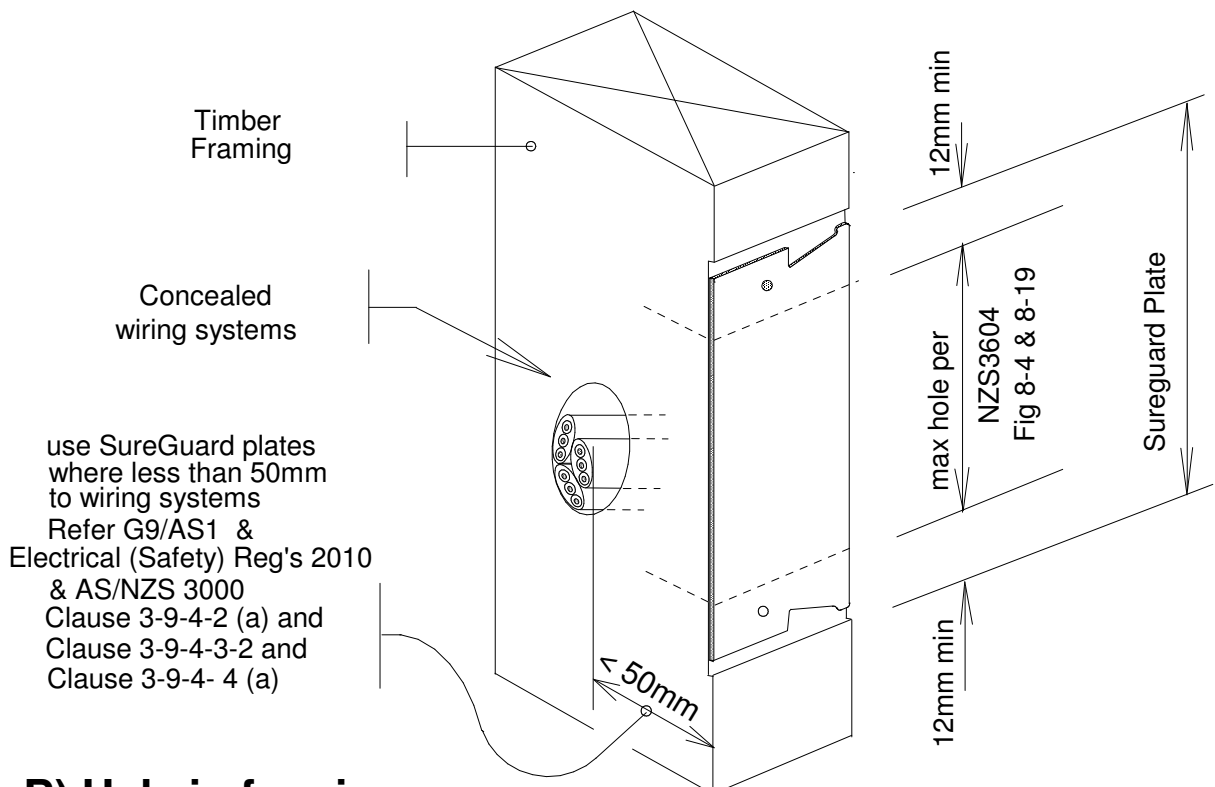


A) Notch in framing
& 45W SureGuard Plate



B) Hole in framing
45W SureGuard Plate

FIGURE SG2 ~ STUDS
SERVICE GUARD DETAIL

NOTE :-

- 1) Service Contractors are to refer to their respective codes & regulations for Services layouts, runs and compatibility of Service Types & materials
- 2) Refer NZS3604:2011 Fig 8-4 & 8-19 for maximum notch & hole sizes in timber framing
- 3) Rebate SureGuard Plates to finish flush with outside of timber framing for true alignment of covering linings
- 4) Substitute Products are NOT permitted. SureGuard Plates have a Registered Patent.